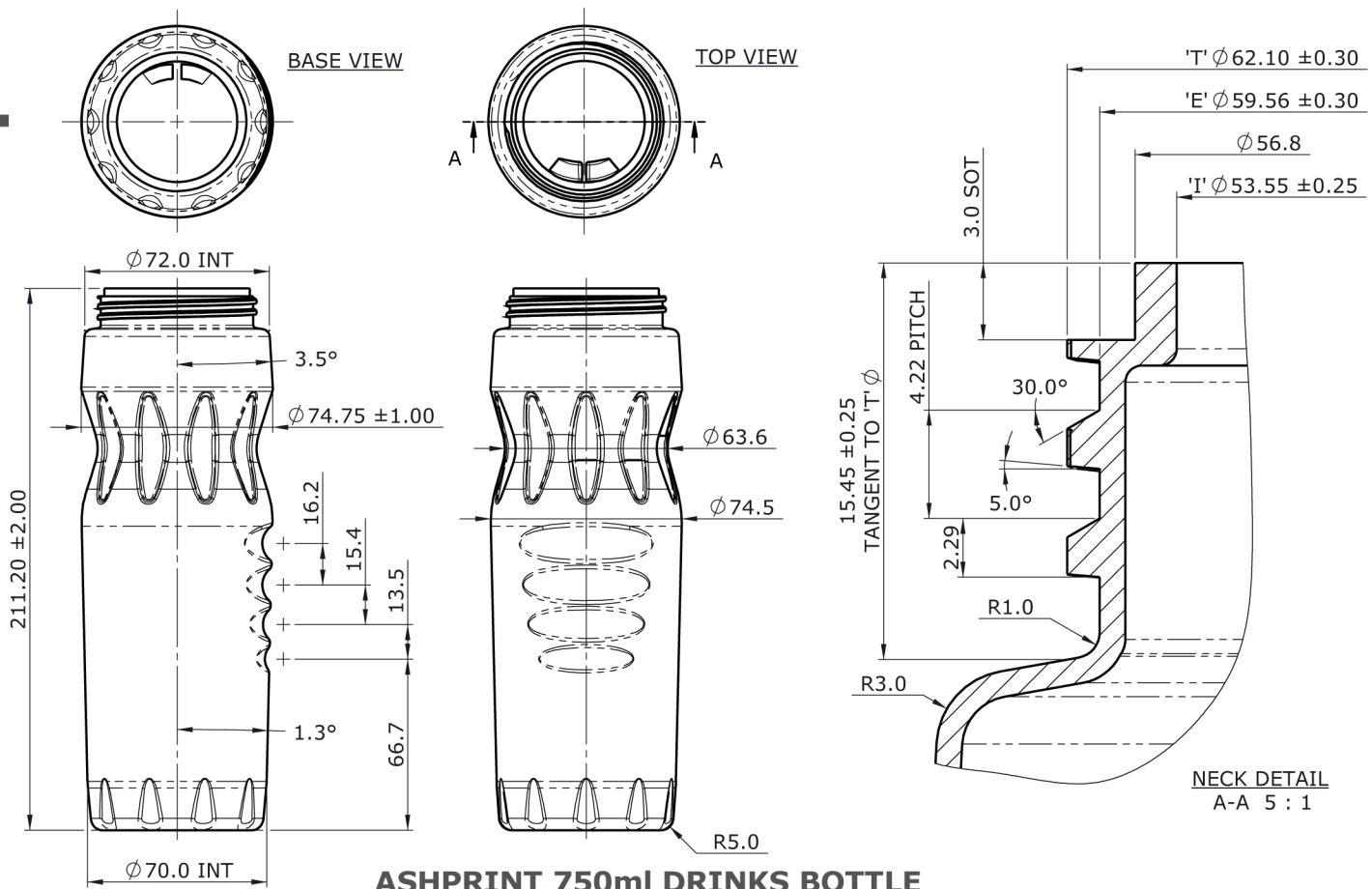


# Concept



Drawn:RPH

Checked:CBM

Date:09/04/10

Material: LDPE

Weight:58g

Capacity:750ml B/F